

SLIDING DOOR ROLLER

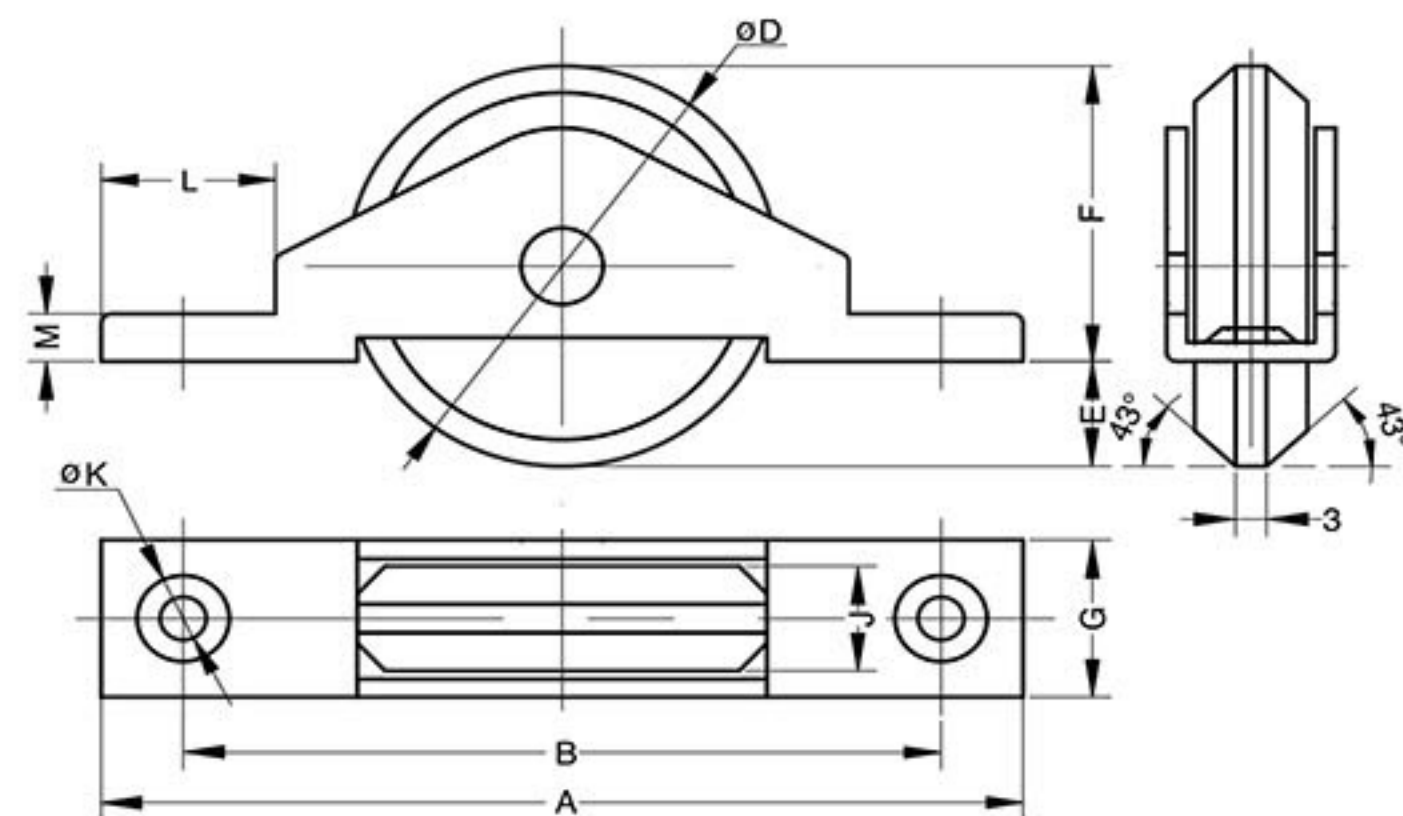
STAINLESS
304
STEEL

FDS, FES, FMS



Features

- Smooth and quiet movement with plastic rollers.
- FES and FMS are equipped with ball bearings providing easy operating even with heavy load.



Part Name	Series	Material	Finish
Bracket, Pin	FDS, FES, FMS	304 Stainless Steel	Plain
Wheel	FDS, FES	Polyacetal	White
	FMS	MC Nylon	Blue

Item Code	Item Name	A	B	D	E	F	G	J	K	L	M	Load Capacity/2 pcs	Weight	Box	Carton
200-139-150	FDS-0259	60	50	25	5	20	11	7	3	10	1.2	15 kg	15 g	20 pcs	200 pcs
200-139-151	FDS-0339	74	63	33	5.5	27.5	13	8	4	12	1.5	25 kg	25 g	12 pcs	120 pcs
200-139-152	FES-0339	68	57	33	7	26	13	9	4	14	5	50 kg	35 g		
200-139-153	FES-0429	92	76	42	6	36	14	9	4	18	5	70 kg	60 g	4 pcs	40 pcs
200-139-154	FMS-0509	110	85	50	8	42	17	11	5	19	5	100 kg	95 g		